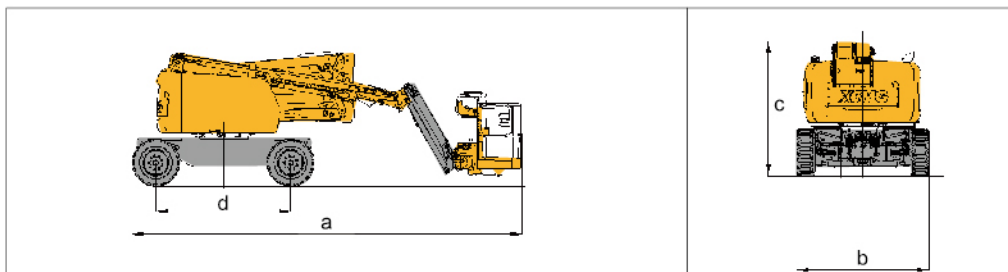


## Parameter

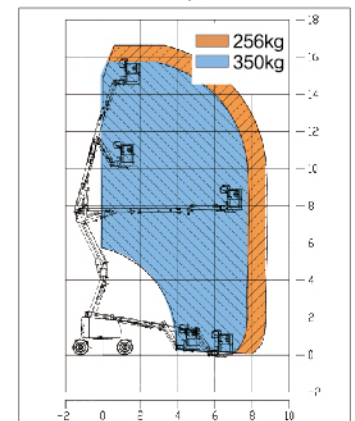
Item	Unit	XGA16ACK	
<b>Dimension</b>			
a.Overall length(stowed)	mm	6785	
Overall length(transportation)	mm	6785	
b.Overall width	mm	2320	
c.Overall height	mm	2350	
Platform dimension	mm	1800 × 760 × 1150	
d.Wheelbase	mm	2360	
Max. working height	mm	16500	
Max. platform height	mm	14500	
Max. working range	mm	8600	
<b>Performance</b>			
Max.load capacity	kg	256 (Unrestricted) / 350 (Restricted)	
Travel speed ( stowed )	km/h	4.8	
Travel speed ( elevated/extended )	km/h	0.6	
Primary boom luffing range	°	0 ~ 65	
Telescopic boom luffing range	°	-11 ~ 75	
Jib luffing range	°	/	
Turntable rotation angle	°	355	
Tailswing	mm	0	
Platform rotation angle	°	160	
Min.turning radius(outside)	mm	4700	
Min.turning radius(inside)	mm	3200	
Total weight	kg	7400	
Max.gradeability ( counterweight upwards)	%	30	
Max.gradeability ( counterweight downwards)	%	25	
<b>Power source</b>			
Battery	Ah/V	(390~420) / 48 DC(Standard)	(400~420) / 48 Lithium battery(Options)
Power unit	Kw/V	12 / 32 AC	12 / 32 AC
Auxiliary power unit	Kw/V	2.3 / 12 DC	2.3 / 12 DC
Travel motor	Kw/V	3.3 / 32 AC	3.3 / 32 AC

## Options

Tool tray / Working light



Work Curve Graph



Global service hotline: 400 110 9999

