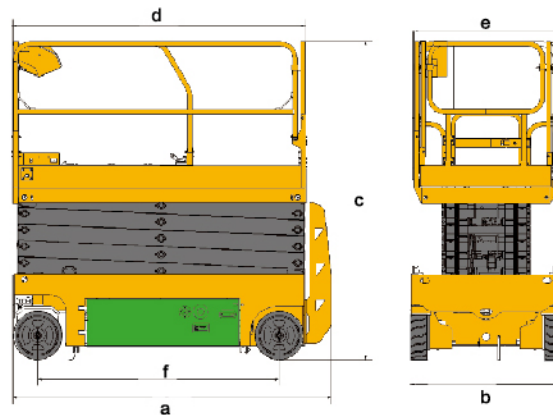


**Parameter**

Item	Unit	XG1212HD-li	XG1212HA-li
<b>Dimension</b>			
Max. working height	m	12	12
Max. platform height	m	10	10
Overall length a	mm	2477	2477
Overall length (without ladder)	mm	2267	2267
Overall width b	mm	1170	1170
Overall height c	mm	2480	2480
Overall height (platform folded)	mm	1930	1930
Platform dimension (length d * Width e)	mm	2280 × 1120	2280 × 1120
Extended platform dimension	mm	900	900
Min. ground clearance (elevated/stowed state)	mm	20 / 100	20 / 100
Tire	mm	381 × 127	381 × 127
Wheelbase f	mm	1877	1877
<b>Performance</b>			
Max. number of occupants	/	2	2
Work platform rated load	kg	320	320
Extension platform rated load	kg	115	115
Travel speed (lowered/elevated position)	km/h	3.2 / 0.8	3.2 / 0.8
Min. turning radius (inside/outside wheel)	m	0 / 2.3	0 / 2.3
Work platform raising/lowering time	s	50-75 / 43-65	50-75 / 43-65
Max. gradeability	%	25	25
Tilt alarm angle (sideways/forward or back)	°	1.5 / 3	1.5 / 3
Total weight	kg	3000	3000
<b>Power source</b>			
Battery	/	Lithium battery	
Battery capacity	AH	202	
Options		AC power to the platform Air-line to platform Platform working light Weighing overload alarm	


**Global service hotline: 400 110 9999**
