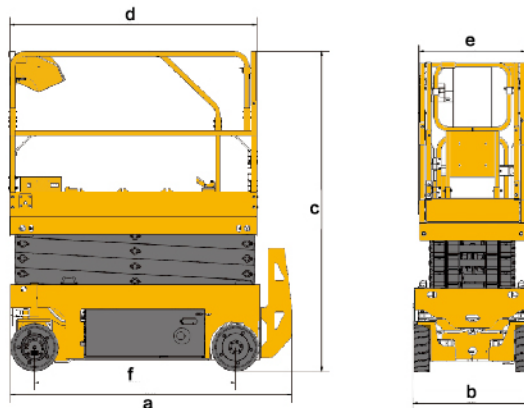


Parameter

| Item | Unit | XG0807HD | XG0807HDW | XG0807HA | XG0807HAW | XG0807AC | XG0807ACW |
|---|------|---|---------------|---------------|---------------|---------------|---------------|
| Dimension | | | | | | | |
| Max. working height | m | 7.8 | 7.8 | 7.8 | 7.8 | 7.8 | 7.8 |
| Max. platform height | m | 5.8 | 5.8 | 5.8 | 5.8 | 5.8 | 5.8 |
| Overall length a | mm | 1900 | 1900 | 1900 | 1900 | 1900 | 1900 |
| Overall length (without ladder) | mm | 1680 | 1680 | 1680 | 1680 | 1680 | 1680 |
| Overall width b | mm | 760 | 810 | 760 | 810 | 760 | 810 |
| Overall height c | mm | 2160 | 2160 | 2160 | 2160 | 2160 | 2160 |
| Overall height (platform folded) | mm | 1830 | 1830 | 1830 | 1830 | 1830 | 1830 |
| Platform dimension (length d * Width e) | mm | 1670 × 740 | 1670 × 740 | 1670 × 740 | 1670 × 740 | 1670 × 740 | 1670 × 740 |
| Extended platform dimension | mm | 900 | 900 | 900 | 900 | 900 | 900 |
| Min. ground clearance (elevated/stowed state) | mm | 20 / 71 | 20 / 71 | 20 / 71 | 20 / 71 | 20 / 71 | 20 / 71 |
| Tire | mm | 323 × 100 | 323 × 100 | 323 × 100 | 323 × 100 | 323 × 100 | 323 × 100 |
| Wheelbase f | mm | 1360 | 1360 | 1360 | 1360 | 1360 | 1360 |
| Performance | | | | | | | |
| Max. number of occupants | / | 2 | 2 | 2 | 2 | 2 | 2 |
| Work platform rated load | kg | 230 | 230 | 230 | 230 | 230 | 230 |
| Extension platform rated load | kg | 115 | 115 | 115 | 115 | 115 | 115 |
| Travel speed (lowered/elevated position) | km/h | 3 / 0.8 | 3 / 0.8 | 3 / 0.8 | 3 / 0.8 | 4.5 / 0.8 | 4.5 / 0.8 |
| Min. turning radius (inside/outside wheel) | m | 0 / 1.75 | 0 / 1.75 | 0 / 1.75 | 0 / 1.75 | 0 / 1.75 | 0 / 1.75 |
| Work platform raising/lowering time | s | 15-25 / 25-35 | 15-25 / 25-35 | 15-25 / 25-35 | 15-25 / 25-35 | 15-25 / 25-35 | 15-25 / 25-35 |
| Max. gradeability | % | 25 | 25 | 25 | 25 | 25 | 25 |
| Tilt alarm angle (sideways/forward or back) | ° | 1.5 / 3 | 1.5 / 3 | 1.5 / 3 | 1.5 / 3 | 1.5 / 3 | 1.5 / 3 |
| Total weight | kg | 1550 | 1580 | 1550 | 1580 | 1550 | 1580 |
| Power source | | | | | | | |
| Battery | / | Maintenance free lead-acid battery | | | | | |
| Battery capacity | AH | 280 | | | | | |
| Options | | AC power to the platform Air-line to platform Platform working light Weighing overload alarm | | | | | |


Global service hotline: 400 110 9999
